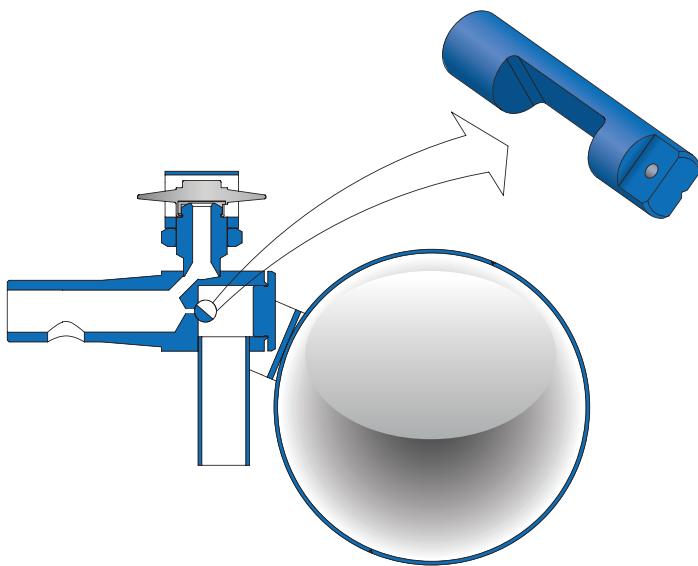


Rotary-Slide-Valve Control

Special Features / Advantages of the unique Rotary-Slide-Valve-Technology:



-  only one moving point
-  regulating device together with shut-off device
-  proportional control action
-  exact, impact free and silent condensate discharge
-  independent of pressure and temperature
-  no whirlpool effect, consequently no loss of steam
-  insensitive to contamination
-  extremely long working life, little wear
-  extremely low maintenance
-  simple systems, few parts