

UNI-EL
Elektrisk aktuator
Electric actuator

Tekniske data
Technical data

UNI-EL 0020
-
UNI-EL 0080



(UNI-EL-0020, 0040, 0080)

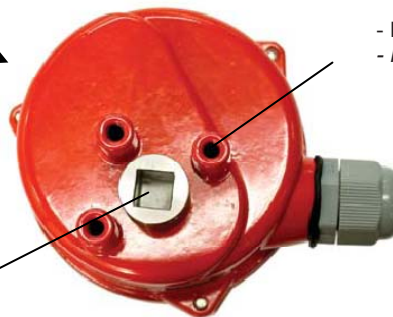


- PG11 kabelforskrning med ledning
- PG11 cable gland with wires

UNI-EL-0020

- For ON/OFF styring af mindre kugleventiler o.lign.
- Forsyningsspænding 87 – 270 VAC, 1 fase eller 24V AC/DC
- Meget kompakt og lav vægt

- ON/OFF automation of small ball valves etc.
- Supply voltage 87 – 270 VAC, 1 phase or 24V AC/DC
- Very compact and light weight



- ISO F03 flange
- ISO F03 flange

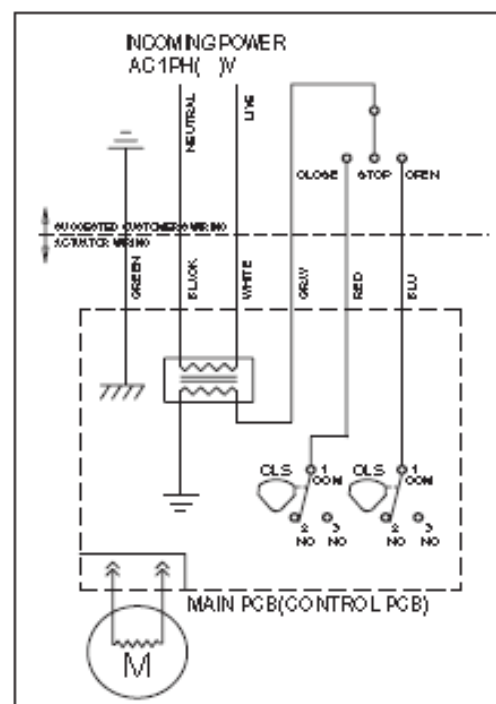
- 9 mm firkant
- 9x9 square female shaft

Type UNI-EL	Moment torque (Nm)	Drift Duty cycle S2 (%)	Gangtid Operating time (sec.) 50 Hz / 60 Hz	Adaptor Max. Bore size (mm)	Strømforgbrug Rated current (A) 24 V / 1 fase AC / DC 110 / 220	Motor beskyttelsesklasse Motor insulation class	Vægt Weight (Kg)
0020	20	50	11	9	0,60 / 0,55 0,16 / 0,08	E	1

Standardspecifikation / Standard specification

Beskyttelsesklasse Enclosure	IP66, O-ring tætning IP66, O-ring sealed
Forsyning Main power supply	110 / 220 VAC / 1 fase / 50/60 Hz, 24V AC/DC 110 / 220 VAC / 1 phase / 50/60 Hz, 24V AC/DC
Drift ON/OFF Duty cycle ON/OFF	S2: 50%
Motor Motor	DC motor
Tilbagemeldere Limit switches	2 stk. for åben/lukke (5A, 250 VAC) 2 pcs. for open/close (5A, 250 VAC)
Ekstra tilbagemeldere Extra limit switches	Relæer for åben/lukke Relays for open/close
Montage Mounting	ISO F03, 9 mm firkant ISO F03, 9x9 mm square female shaft
Drejevinkel Travel angle	90° ± 5°
Kabel gennemføring Cable entries	PG11 forskruning med 30 cm ledning PG11 cable gland with 30 cm wires
Ekstern overfladebehandling External coating	Dry powder (polyester coating)
Omgivelsestemperatur Ambient temperature	-10°C - +65°C
Fugtighed omgivelser Ambient humidity	90% RH max.

Nøglediagram / Wiring (230 VAC)



UNI-EL-0040

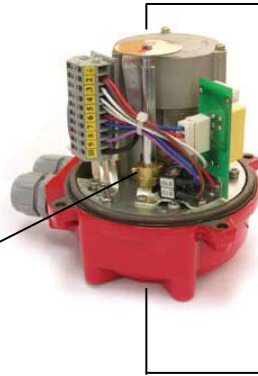


- For ON/OFF styring af mindre kugleventiler og spjæld
- Specielt designet induktionsmotor med stort startmoment og termisk beskyttelse
- Kompakt og lav vægt

- ON/OFF automation of small ball valves and dampers.
- The motor is a special designed induction motor that produces high starting torques and thermally protected from overheating
- Compact and light weight
- High duty cycle



- Indstilling af kamme for limit switch
- Cam set for limit switch



- Visuel indikator
- Indicator



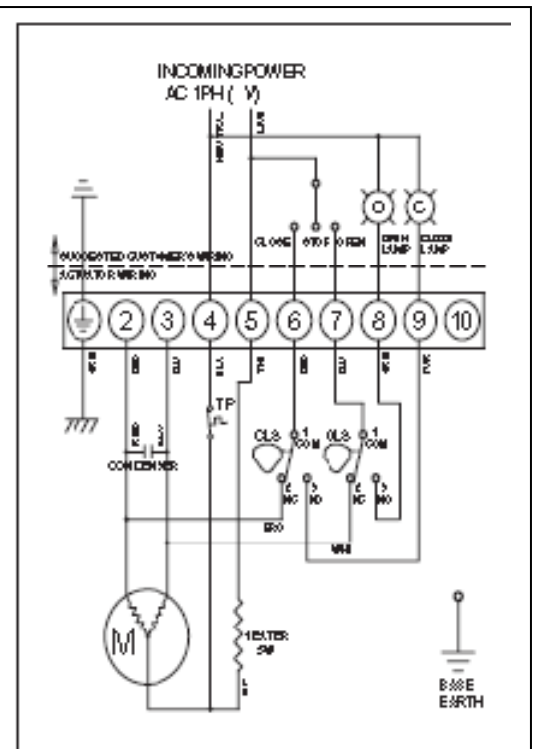
- 14 mm dobbelt firkant
- 14x14 mm doublesquare female shaft

Type UNI-EL	Moment torque (Nm)	Drift Duty cycle S2 (%)	Gangtid Operating time (sec.) 50 Hz / 60 Hz	Adaptor Max. Bore size (mm)	Strømforbrug Rated current (A) 24 V / 1 fase DC 110 / 220	Motor beskyttelsesklasse Motor insulation class	Vægt Weight (Kg)
0040	40	50	14 / 12	14	0,8 0,27 / 0,18	E	3

Standardspecifikation / Standard specification

Beskyttelsesklasse Enclosure	IP66, O-ring tætning IP66, O-ring sealed
Forsyning Main power supply	110 / 220 VAC / 1 fase / 50/60 Hz, 24V AC/DC 110 / 220 VAC / 1 phase / 50/60 Hz, 24V AC/DC
Drift ON/OFF Duty cycle ON/OFF	S2: 50%
Motor Motor	DC motor
Tilbagemeldere Limit switches	2 stk. for åben/lukke (5A, 250 VAC) 2 pcs. for open/close (5A, 250 VAC)
Ekstra tilbagemeldere Extra limit switches	Relæer for åben/lukke Relays for open/close
Montage Mounting	ISO F03, 9 mm firkant ISO F03, 9x9 mm square female shaft
Drejvinkel Travel angle	90° ± 5°
Kabel gennemføring Cable entries	PG11 forskruning med 30 cm ledning PG11 cable gland with 30 cm wires
Ekstern overfladebehandling External coating	Dry powder (polyester coating)
Omgivelsestemperatur Ambient temperature	-10°C - +65°C
Fugtighed omgivelser Ambient humidity	90% RH max.

Nøglediagram / Wiring (230 VAC)



UNI-EL-0080



- For ON/OFF styring af mindre kugleventiler, nåleventiler og spjæld
- Selvhæmmende gear
- Specielt designet induktionsmotor med stort startmoment og termisk beskyttelse
- Mekanisk stop
- Manuel bevægelse med nøgle direkte på gearet
- Kompakt og lav vægt

- ON/OFF automation of small ball valve, plug valves and dampers.
- Self locking combination of spur and worm gears
- The motor is a special designed induction motor that produces high starting torques and thermally protected from overheating
- Mechanical stopper bolts
- Manual operation by wrench directly to the gear box
- Compact and light weight

- Indstilling af kamme for limit switch
- Cam set for limit switch



- Klemrække (22 stk.)
- Terminal strip (22 strips)

- 17 mm dobbelt firkant
- 17x17 mm doublesquare female shaft



- Håndmanøvrering
- Manual operation

Type UNI-EL	Moment torque (Nm)	Drift Duty cycle S2 (%)	Gangtid Operating time (sec.) 50 Hz / 60 Hz	Adaptor Max. Bore size (mm)	Strømforbrug Rated current (A) 24 V / 1 fase DC 110 / 220	Motor beskyttelsesklasse Motor insulation class	Vægt Weight (Kg)
0080	80	50	16 / 14	17	0,8 0,97 / 0,52	E	3,5

Standardspecifikation / Standard specification

Beskyttelsesklasse Enclosure	IP67, O-ring tætning IP67, O-ring sealed
Forsyning Main power supply	110 / 220 VAC / 1 fase / 50/60 Hz, 24V DC 110 / 220 VAC / 1 phase / 50/60 Hz, 24V DC
Drift ON/OFF Duty cycle ON/OFF	S2: 40%
Motor Motor	S4: 50%, 1200 starts/hour
Drift Regulering Duty cycle modulating	Induction motor
Tilbagemeldere Limit switches	4 stk. for åben/lukke 4 pcs. for open/close
Varmelegeme Space heater	3 W
Montage Mounting	ISO F05/F07, 17 mm firkant ISO F05/F07, 17x17 mm square female shaft
Drejevinkel Travel angle	90° ± 10° ved justerbart mekanisk stop 90° ± 10° by adjustable mechanical stopper
Kabel gennemføring Cable entries	2 – M20 x 1,5
Ekstern overfladebehandling External coating	Anodiseret og polyester coating Anodized and polyester coating
Omgivelsestemperatur Ambient temperature	-20°C - +70°C
Fugtighed omgivelser Ambient humidity	90% RH max.

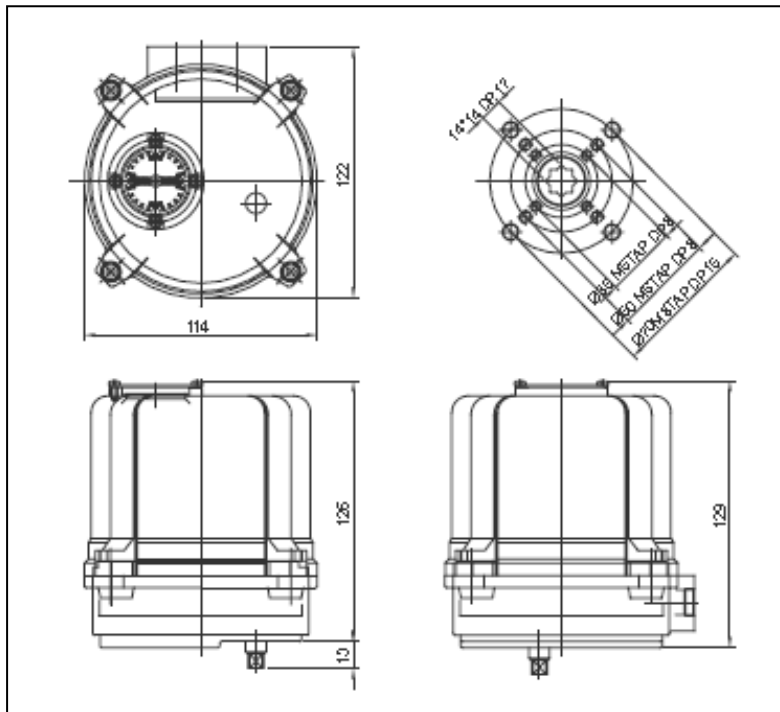
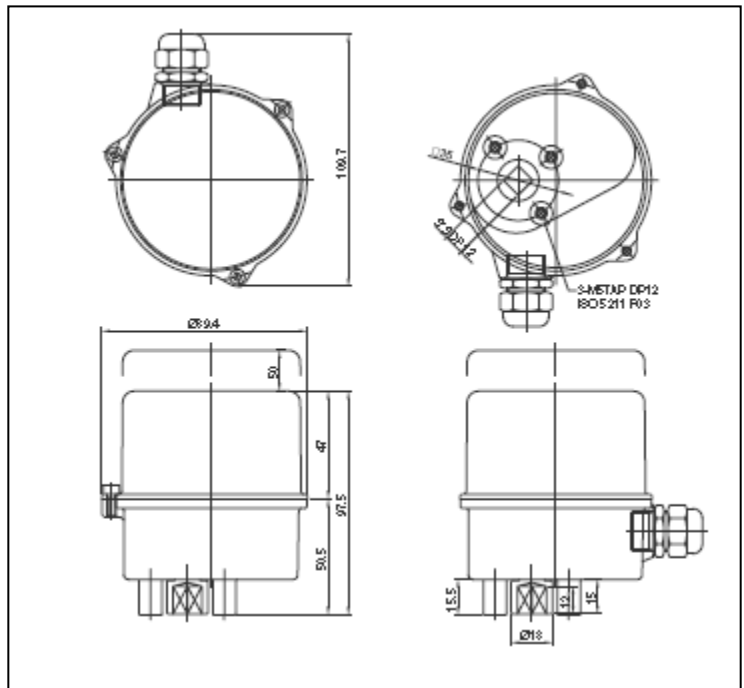
Optioner / Options

PK	Potentiometer kit (udg. Signal: 0-1 KΩ) Høj opløsning og præcist forarbejdet gear kobles direkte på akslen for kontinuerlig tilbagemelding af ventilens stilling Potentiometer kit (output signal: 0-1 KΩ) High resolution potentiometer and precisely machined gearing are directly engaged with drive shaft to feed back continuous position of valve
CT	Strømtransmitter (udg. Signal: 4-20 mA) Nulpunkts / område justering DIP switch (4-wire til 2-wire) Current transmitter (output signal: 4-20 mA) Zero / span adjustment Convertible DIP switch (4 wire to 2 wire)
RPC	Reguleringsmodul (positioner, indg.- og udg. signal) Indg.: 4-20 mA, 0-10VDC, 2-10VDC, 1-5VDC, 0-5VDC Udg.: 4-20 mA, 0-10VDC, 2-10VDC, 1-5VDC, 0-5VDC Auto-kalibrering Reversering Remote position controller (by input and output signal) Input.: 4-20 mA, 0-10VDC, 2-10VDC, 1-5VDC, 0-5VDC Output.: 4-20 mA, 0-10VDC, 2-10VDC, 1-5VDC, 0-5VDC Auto-calibration Reverse operating direction

Ret til ændringer forbeholdes / subject to changes

Dimensioner / Dimensions

UNI-EL-0020



UNI-EL-0040





UNI-EL-0080

