

# Uni-Valve A/s

VENTILER & INSTRUMENTER

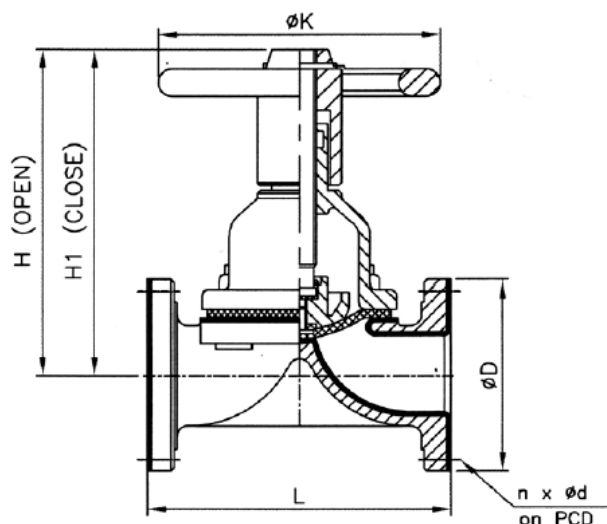
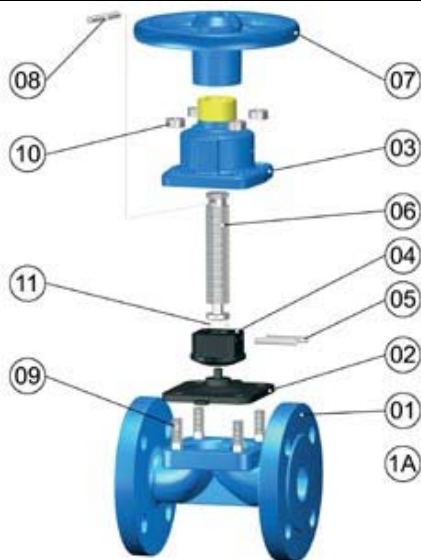


Telefon (+45) 43 43 82 00 • Telefax (+45) 43 43 74 75 • mail@uni-valve.com • www.uni-valve.com

## UNI-WT

### Membranventil Diaphragm valve

### DN15–DN300 PN16/10/6/5/4



DN	DIN 3202 F1		BS 5156		H Åben/open	H1 Lukket/closed	EN1092-1 PN10 / BS 4504 T.10			ØK
	L	Vægt/weight	L	Vægt/weight			ØD	PCD	nxød	
15	130	2,7	108	2,3	109	103	95	65	4x14	100
20	150	3,5	117	3,2	117	109	105	75	4x14	100
25	160	4,4	127	4,2	140	130	115	85	4x14	120
32	180	6,6	146	6,4	143	131	140	100	4x18	120
40	200	8,5	159	7,5	172	152	150	110	4x18	120
50	230	12,5	190	12,0	190	166	165	125	4x18	164
65	290	19,0	216	18,0	230	195	185	145	4x18	220
80	310	25,0	254	23,0	242	202	200	160	8x18	240
100	350	36,0	305	34,0	326	275	220	180	8x18	270
125	400	52,0	356	50,0	391	326	250	210	8x18	270
150	480	75,0	406	69,0	468	390	285	240	8x22	360
200	600	160,0	521	150,0	680	560	340	295	8x22	460
250	730	235,0	635	220,0	802	657	395	350	12x22	600
300	850	315,0	749	300,0	971	796	445	400	12x22	700

Pos.	Del	Materiale	Part	Material
1	Hus	Sejjern, støbejern	Body	Ductile or cast iron
1A	Lining	*se tabel herunder	Body lining	*see table below
2	Membran	*Gummi	Diaphragm	*Rubber
3	Overdel	Sejjern, støbejern	Bonnet	Ductile or cast iron
4	Kompressor	Støbejern	Compressor	Cast iron
5	Kompressor split	Stål	Compressor pin	Steel
6	Spindel	Stål	Spindle	Steel
7	Håndhjul	Støbejern	Hand wheel	Cast iron
8	Håndhjul split	Stål	Hand wheel pin	Steel
9	Bolte	Stål	Bolts	Steel
10	Møtrikker	Stål	Nuts	Steel
11	Skive	Nylon	Thrust washer	Nylon

\* Membran materiale, se herunder

\* Diaphragm material, see below

#### Materialeoptioner lining / body lining material options:

Gummi / rubber	Fluoropolymer
Hard rubber – ebonite (HR)	PFA
Butyl rubber (BR)	ETFE
Soft rubber (SR)	FEP
Neoprene rubber	PVDF
Hypalon rubber	Halar
Wfite natural	
Linatex	

#### Materialeoptioner ventilihus / body material options:

Materiale/material	Støbejern/ Cast iron	Sejjern/ Ductile iron	Stål/ Carbon steel	Syrefast stål/ Stainless steel	Syrefast stål/ stainless steel	Bronze	Jern legeringer/ Iron alloys
	GG-25	GGG-40.3	1.0619+N	1.4401 (AISI316)	1.4404 (AISI316L)	CC491K	Chromium iron 24%, 30%, etc.

#### Membran optioner / diaphragm options:

Kode/code	D10	D15	D20	D30	D40	D50	D60	D70		D93/20	D93/30	D93/70
Materiale/material	Natural rubber	White natural rubber	EPDM	Butyl	Nitrile	Neoprene® rubber	Hypalon® rubber	Viton® rubber	Linatex®	PTFE/EPDM	PTFE/butyl rubber	PTFE/viton®

Ret til ændringer forbeholdes / subject to changes / ændringeren vorbehalten