

Uni-Valve A/s

VENTILER & INSTRUMENTER



Telefon (+45) 43 43 82 00 • Telefax (+45) 43 43 74 75 • mail@uni-valve.com • www.uni-valve.com

UNI-S12

Sædeventil
Seat valve
Sitzventil

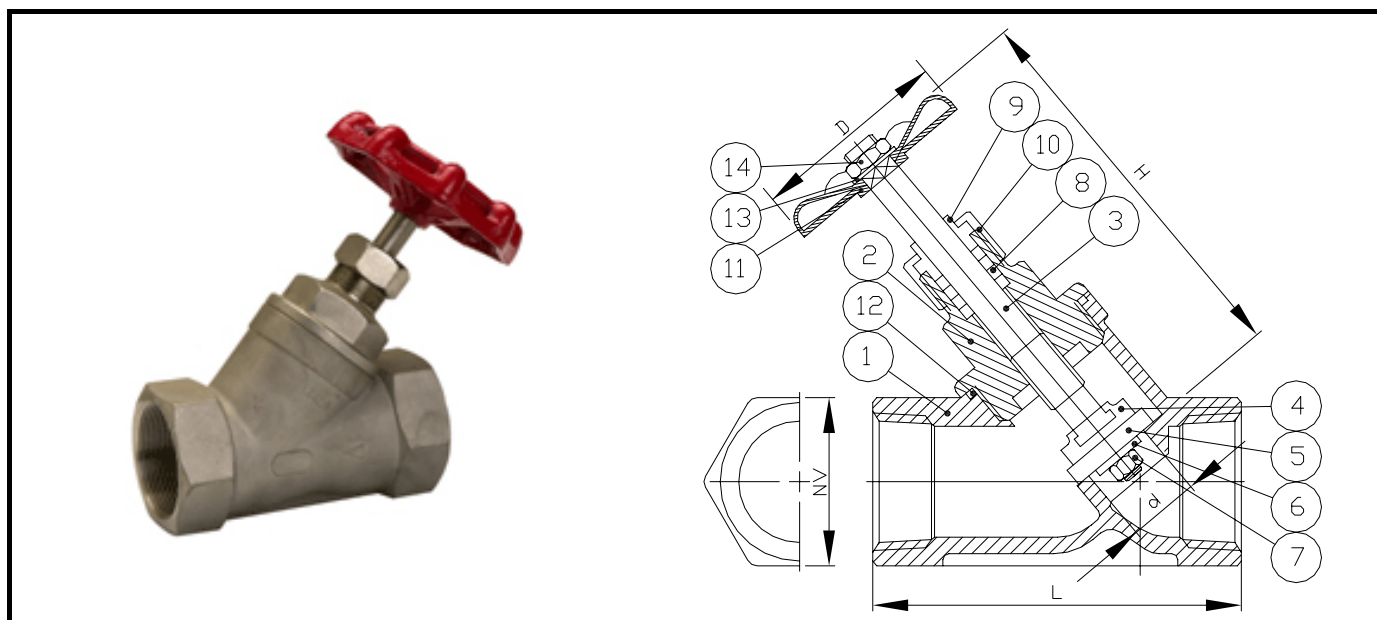
DN15 – 50
PN10

Type / series / Baureihe

- Skråtstillet sædeventil / angle bodied seat-valve / Schrägsitzventil
- BSP gevindender muffe-muffe (RG) / threaded connections / Innengewinde
- AISI 316 / 1.4408
- Med håndhjul / with handwheel / mit Handrad

Anvendelse / application / Verwendung

Vand, damp, luft, olier, væsker og andre medier som ventilens materialer er bestandige overfor /
Water, steam, air, oil, liquids and other media which the materials of the valve are resistant to /
Wasser, Wasserdampf, Luft, Öl, Flüssigkeiten und andere Medien wo die Werkstoffe des Ventils beständig sind.



| Pos. | Del | Materiale | Part | Material | Teil | Werkstoffe |
|------|----------------|-----------|-------------|----------|------------------|------------|
| 1 | Hus | AISI316 | Body | AISI316 | Gehäuse | 1.4408 |
| 2 | Skruedæksel | AISI316 | Screw cover | AISI316 | Schraubdeckel | 1.4408 |
| 3 | Spindel | AISI316 | Stem | AISI316 | Spindel | 1.4408 |
| 4 | Klap | AISI316 | Disc | AISI316 | Klappe | 1.4408 |
| 5 | Sæde | PTFE | Seat | PTFE | Sitz | PTFE |
| 6 | Skive | AISI304 | Washer | AISI304 | Scheibe | 1.4301 |
| 7 | Møtrik | AISI304 | Nut | AISI304 | Mutter | 1.4301 |
| 8 | Spindelpakning | PTFE | Stem seal | PTFE | Spindel Dichtung | PTFE |
| 9 | Bøsning | AISI304 | Bushing | AISI304 | Buchse | 1.4301 |
| 10 | Spindelmøtrik | AISI304 | Stem nut | AISI304 | Spindel Mutter | 1.4301 |
| 11 | Håndhjul | Metal | Handwheel | Metal | Handrad | Metal |
| 12 | Pakning | PTFE | Packing | PTFE | Dichtung | PTFE |
| 13 | Skive | AISI304 | Washer | AISI304 | Scheibe | 1.4301 |
| 14 | Møtrik | AISI304 | Nut | AISI304 | Mutter | 1.4301 |

| DN | RG | d | NV | L | H | D | Vægt Weight Gewicht |
|----|--------|------|----|-----|-----|-----|---------------------------|
| 15 | 1/2" | 12,5 | 27 | 65 | 97 | 62 | 0,4 |
| 20 | 3/4" | 18 | 32 | 75 | 110 | 62 | 0,6 |
| 25 | 1" | 23,5 | 41 | 90 | 117 | 83 | 0,9 |
| 32 | 1.1/4" | 31,5 | 50 | 110 | 138 | 83 | 1,4 |
| 40 | 1.1/2" | 36 | 55 | 120 | 150 | 114 | 1,9 |
| 50 | 2" | 45,5 | 70 | 150 | 168 | 114 | 3,2 |

Ret til ændringer forbeholdes / subject to changes / Änderungen vorbehalten