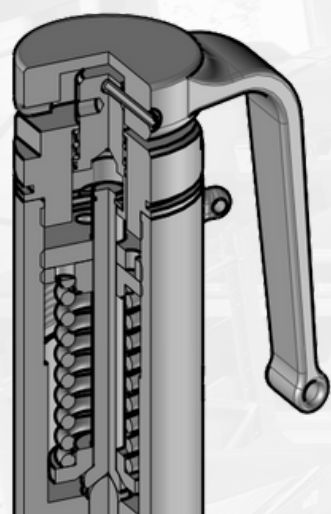


# TECHNICAL DATA

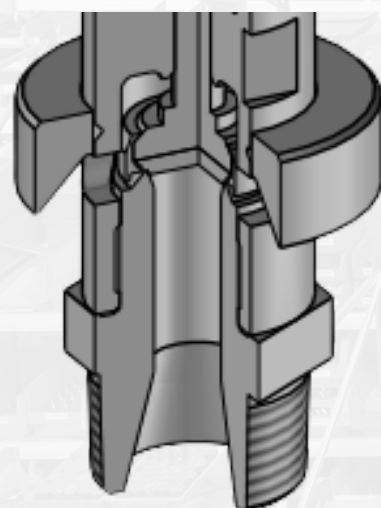
## SERIE 8C

### AVAILABLE IN OPTION

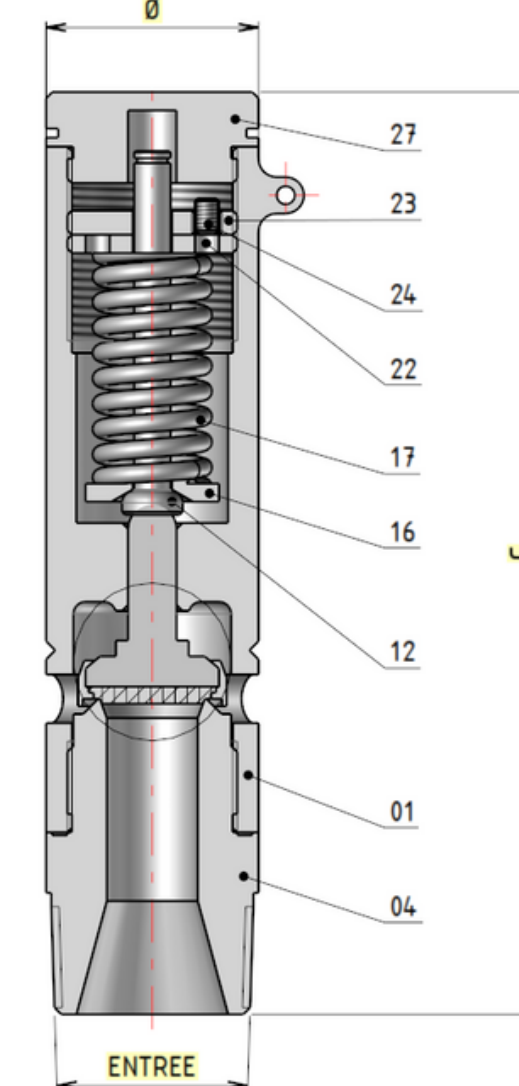
version with hand lever  
cap not tight



version with  
protection cap



Nominal Size – Inlet	Unit	½"	¾"	1"
Orifice d0	mm	15,00	15,00	15,00
Section	mm²	177	177	177
Coefficient of discharge – GAS 0.2 barg -> 0.99 barg 1 barg -> 40 barg	Kdr	0,782	0,782	0,782
		0,840	0,840	0,840
Nominal size – Outlet	-	Atmosphere or protection cap	Atmosphere or protection cap	Atmosphere or protection cap
Set pressure from ... to ...	barg	0,2 -> 40	0,2 -> 40	0,2 -> 40
Weight	Kg	0,75	0,77	0,83
Height – Size C	mm	146	146	152
Minimum Temperature	°C	-60	-60	-60
Maximum Temperature	°C	+200	+200	+200
Maximum PS at +20°C	barg	40	40	40
Vacuum resistance	bar g	-1,0	-1,0	-1,0



27	1	BOUCHON / CAP	1.4404 / X2CrNiMo17-12-2 (AISI 316L)
24	1	VIS SANS TÊTE DE BLOCAGE / SCREW	A2 - 70 / INOX / STAINLESS STEEL
23	1	CONTRE ECROU DE VIS DE REGLAGE / LOCK NUT	1.4404 / X2CrNiMo17-12-2 (AISI 316L)
22	1	VIS DE REGLAGE / ADJUSTMENT SCREW	1.4404 / X2CrNiMo17-12-2 (AISI 316L)
17	1	RESSORT DE COMPRESSION / SPRING	1.4310 / X10CrNi18-8 (AISI 302)
16	1	COUPELLE INFERIEURE / UNDER SPRING PLATE	1.4404 / X2CrNiMo17-12-2 (AISI 316L)
12	1	TIGE / STEM	1.4404 / X2CrNiMo17-12-2 (AISI 316L)
8c	1	DEFLECTEUR / DISC-HOLDER	1.4404 / X2CrNiMo17-12-2 (AISI 316L)
8b	1	PASTILLE / SEAL	PTFE CHARGE CARBONE 25% / 25% CARBON FILLED PTFE
8a	1	CLAPET / DISC	1.4404 / X2CrNiMo17-12-2 (AISI 316L)
08	1	ENSEMBLE CLAPET SERTI COMPOSE DE / CRIMPED DISC SET COMPOSED OF :	
04	1	RACCORD SIEGE / SEAT	1.4404 / X2CrNiMo17-12-2 (AISI 316L)
01	1	CORPS / BODY	1.4408 / GX5CrNiMo19-11-2 (CF8M)
Rep./Item	Qté/Qty	Désignation/Description	Matière/Material