

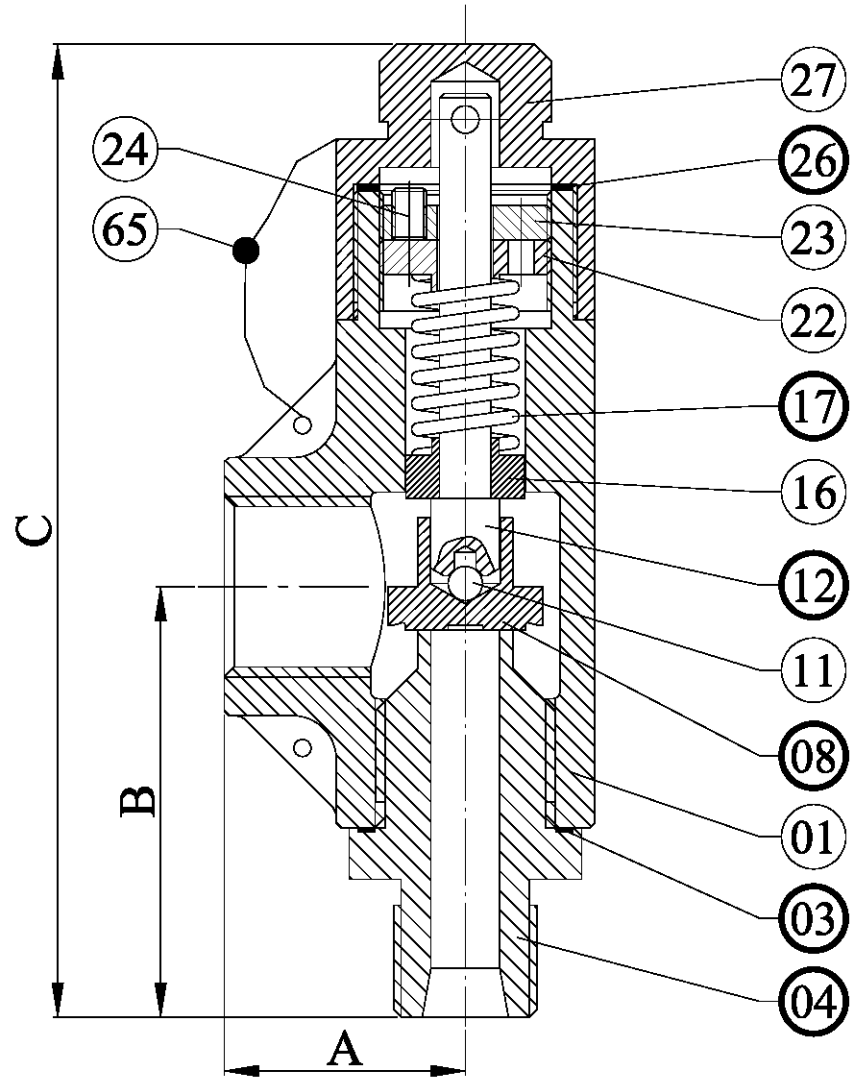
Rp	Nb	DESIGNATION		MATIERE /MATERIAL
01	1	CORPS	BODY	1.4408/ A351CF8M
03	1	JOINT DE SIEGE	SEAT GASKET	PTFE
04	1	RACCORD SIEGE	SEAT	1.4404/ AISI 316L
08	1	CLAPET	DISC	1.4404/ AISI 316L
11	1	BILLE	BALL	1.4404/ AISI 316L
12	1	TIGE	STEM	1.4404/ AISI 316L
16	1	COUPELLE	SPRING PLATE	1.4404/ AISI 316L
17	1	RESSORT	SPRING	1.4310/ AISI 302
22	1	VIS DE REGLAGE	ADJUSTMENT SCREW	1.4404/ AISI 316L
23	1	CONTRE-ECROU V.REGLAGE	LOCK NUT	1.4404/ AISI 316L
24	2	VIS SANS TETE	SCREW	INOX/ STAINLESS STEEL
26	1	JOINT DE BOUCHON	PLUG GASKET	PTFE
27	1	BOUCHON	PLUG	1.4404/ AISI 316L
65		PLOMBAGE	PLUMBING	

- SOUPAPE DE SURETE ACIER INOXYDABLE
- BOUCHON ETANCHE
- RACCORDEMENT :
ENTREE=FILETEE GAZ CYLINDRIQUE
SORTIE=TARAUDEE GAZ

- AUTRES CONDITIONS DE SERVICE, RACCORDEMENTS
ET MATERIAUX SUR DEMANDE.
- MATERIEL CONFORME A LA DIRECTIVE 97/23/CE

- STAINLESS STEEL SAFETY RELIEF VALVE
- TIGHT PLUG
- CONNECTION :
INLET=THREADED CYLINDRICAL BSP
OUTLET= SCREWED END BSP

- OTHER WORKING CONDITIONS, CONNECTIONS AND
MATERIALS ON REQUEST
- MATERIAL CONFORM TO DIRECTIVE 97/23/CE



○ PIÈCES DE RECHANGE CONSEILLÉES RECOMMENDED SPARE PARTS
CE DOCUMENT PEUT ÊTRE MODIFIÉ SANS AVIS PRÉALABLE ALL SPECIFICATIONS SUBJECT TO CHANGE WITHOUT NOTICE

RACCORDEMENT CONNECTION			A	B	C	P.D.O (bar) SET PRESSURE		SECTION DE PASSAGE CROSS SECTION (mm ²)	POIDS WEIGHT (Kg)
DN	ENTREE GAZ INLET BSP	SORTIE GAZ OUTLET BSP				Mini 0.20 bar	Maxi		
08	1/4"	1/2"	28	50	114	12		50	0,5
10	3/8"	1/2"	28	50	114	12		50	0,5
15	1/2"	1/2"	28	50	114	12		50	0,5

A	14/03/07	EDITION ORIGINALE / INITIAL ISSUE	RANA	DEBELLE
SOUPAPE DE SURETE SAFETY RELIEF VALVE TYPE 710 IRM - GAZ/BSP DN 08/.../15 - PN 16			3710I	