

Rp	Nb	DESIGNATION		MATIERE/MATERIAL
01	1	CORPS	BODY	1.4408/CF8M
03	1	JOINT RACCORD SIEGE	SEAT GASKET	PTFE ou/ou GRAPHITE
04	1	RACCORD SIEGE	SEAT	1.4404/AISI 316L
08	1	SOUPAPE	DISC	1.4404/AISI 316L
09	1	DEFLECTEUR	DISC-HOLDER	1.4404/AISI 316L
10	1	VIS D'ARRET	SCREW	INOX/STAINLESS STEEL
11	1	BILLE	BALL	1.4404/AISI 316L
12	1	TIGE	STEM	1.4404/AISI 316L
14	1	GUIDE TIGE	STEM GUIDE	1.4404/AISI 316L
15	1	BAGUE COUPELLE INF.(DN40/50)	RING (ND40/50)	1.4404/AISI 316L
16	1	COUPELLE INFERIEURE	UNDER SPRING PLATE	1.4404/AISI 316L
17	1	RESSORT	SPRING	1.4310/AISI 302 ou or INCONEL 600
18	1	COUPELLE SUPERIEURE	UPPER SPRING PLATE	1.4404/AISI 316L
22	1	VIS REGLAGE	ADJUSTMENT SCREW	1.4404/AISI 316L
23	1	C/ECROU VIS REGLAGE	LOCK NUT	1.4404/AISI 316L
26	1	JOINT DE BOUCHON	PLUG GASKET	PTFE ou/ou GRAPHITE
27	1	BOUCHON DN 10 à 32 DN 40/50	PLUG ND 10 to 32 ND 40/50	1.4409/CF3M 1.4404/AISI 316L
50	1	BRIDE TOURNANTE	LOOSE FLANGE	1.4404/AISI 316L
51	1	RACCORD DE SORTIE	COUPLING	1.4404/AISI 316L
52	1	BRIDE TOURNANTE	LOOSE FLANGE	1.4404/AISI 316L
54	1	JOINT RACCORD DE SORTIE	GASKET	PTFE ou/ou GRAPHITE
55	1	VIS DE BLOCAGE	BLOCKING SCREW	INOX /STAINLESS STEEL
56	1	ECROU	NUT	INOX /STAINLESS STEEL
62	1	JOINT	GASKET	1.4301 / AISI 304L
63	1	VIS	SCREW	INOX /STAINLESS STEEL

- SOUPAPE DE SURETE ACIER INOXYDABLE
- BOUCHON ETANCHE SANS LEVIER
- RACCORDEMENT ENTRE/SORTIE:
BRIDES TOURNANTES-CLASS 150 x 150 Lbs
-PN 40 x 16
-CLASS 300 x 150 Lbs

-AUTRES CONDITIONS DE SERVICE, RACCORDEMENTS ET MATERIAUX SUR DEMANDE.
-MATERIEL CONFORME A LA DIRECTIVE 97/23/CE

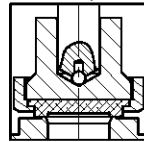
- STAINLESS STEEL SAFETY RELIEF VALVE
- TIGHT PLUG WITHOUT LEVER
- CONNECTIONS INLET/OUTLET
LOOSE FLANGES-CLASS 150 x 150 Lbs
-PN 40 x 16
-CLASS 300 x 150 Lbs

-OTHER WORKING CONDITIONS, CONNECTIONS AND MATERIALS ON REQUEST
-MATERIAL CONFORM TO DIRECTIVE 97/23/CE

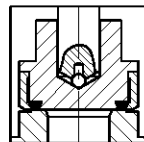
RACCORDEMENT CONNECTION				A	B	C	P.D.O (bar) SET PRESSURE MINI 0,20 bar			SECTION DE PASSAGE CROSS SECTION (mm ²)	POIDS WEIGHT (Kg)
ENTREE INLET		SORTIE OUTLET					Maxi				
PN 40	300/150 Lbs	PN16	150 Lbs				Cl.150	PN 40	Cl.300		
10		20		85	72	226		40		50	3.7
15	1/2"	20	3/4"	85	72	226	20	40	45	113	3.9
20	3/4"	32	1"	100	85	273	20	40	45	177	5.1
25	1"	32	1"	100	85	273	20	37	37	254	6.6
32	1.1/4"	32	1.1/4"	100	85	273	20	27	27	346	8
40	1.1/2"	50	2"	115	115	485	20	40	40	707	18
50	2"	50	2"	115	115	485	20	27	27	1018	22

VARIANTES OTHER POSSIBILITIES

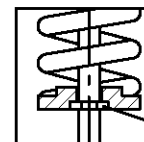
SOUPAPE A PORTEE PTFE
DISC WITH PTFE GASKET
TYPE 511 IRT (20 bar maxi)



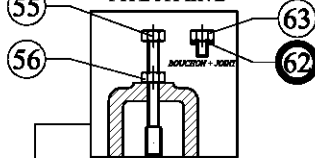
SOUPAPE A JOINT TORIQUE FPM ou EPDM
DISC WITH O'RING FPM or EPDM
TYPE 511 IRJT ou 511 IRJEP (20 bar maxi)



COUPELLE
UNDER SPRING PLATE DETAIL
DN40/50



VIS DE BLOCAGE
BLOCKING SCREW
TYPE 511 IRVB

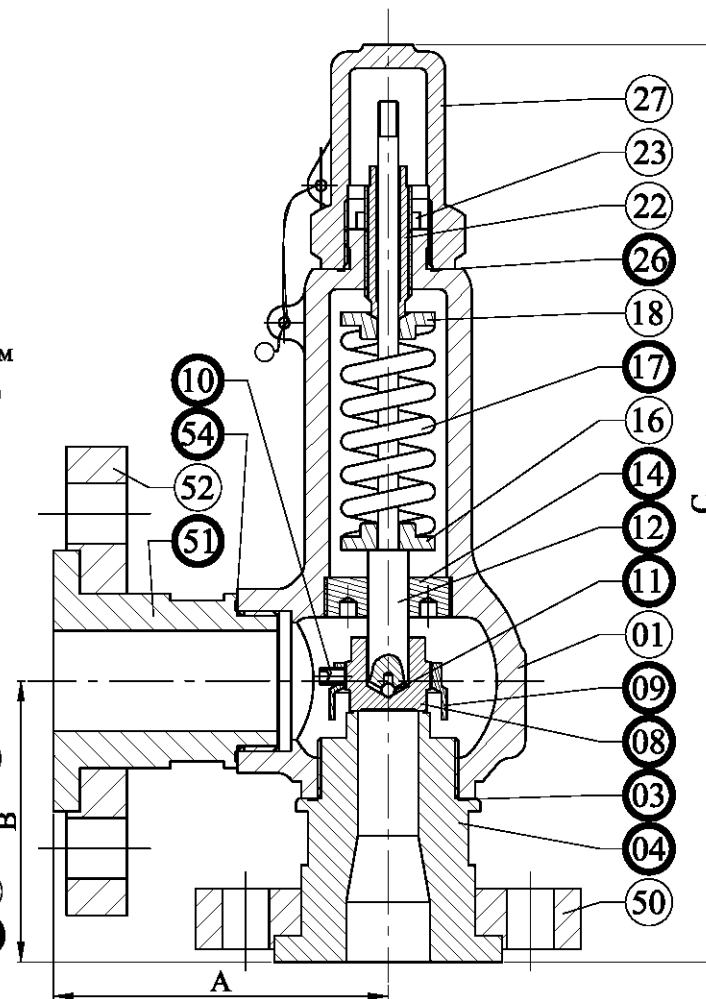


ATTENTION!

VIS DE BLOCAGE MECANISME - A REMPLACER PAR BOUCHON + JOINT AVANT MISE EN SERVICE
BLOCKING SCREW SHOULD BE REPLACED BY SCREW+GASKET BEFORE USE

PIECES DE REMPLACEMENT CONSEILLEES
RECOMMENDED SPARE PARTS

CE DOCUMENT PEUT ETRE MODIFIE SANS AVIS PREALABLE
ALL SPECIFICATIONS SUBJECT TO CHANGE WITHOUT NOTICE



A	19/02/07	EDITION ORIGINALE / INITIAL ISSUE	RANA	DEBILLE
		SOUPAPE DE SURETE SAFETY RELIEF VALVE TYPE 511 IR	3511 I	
		DN 10/.../50 -PN40-CLASS150/300Lbs		