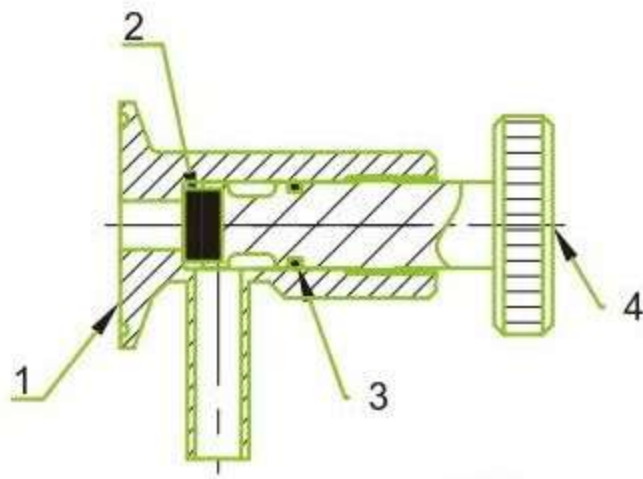


SAMPLE VALVE

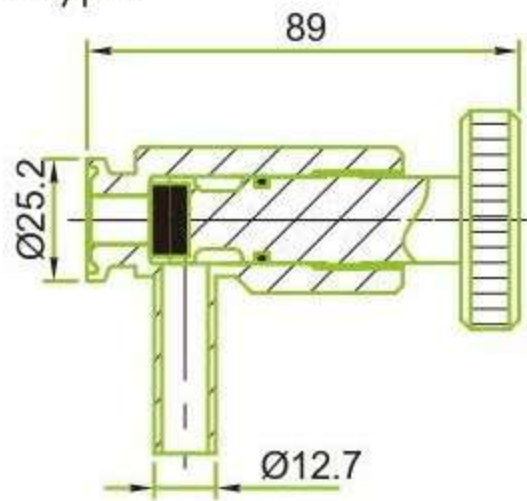


SAMPLE VALVE 取樣閥

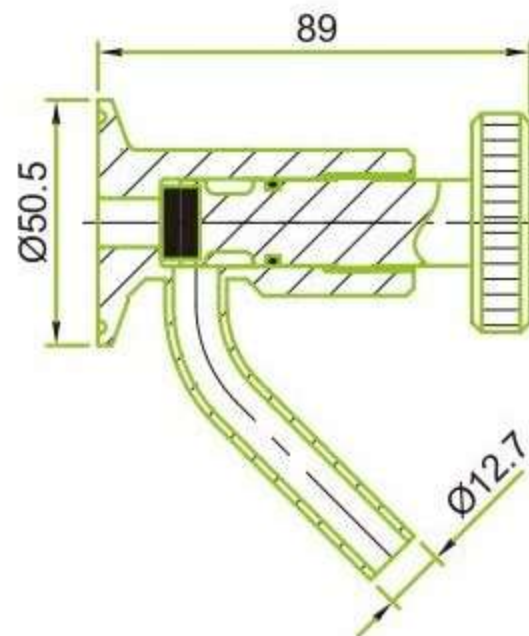
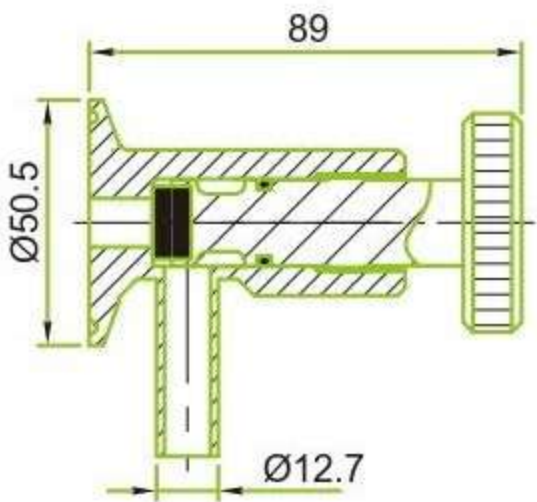
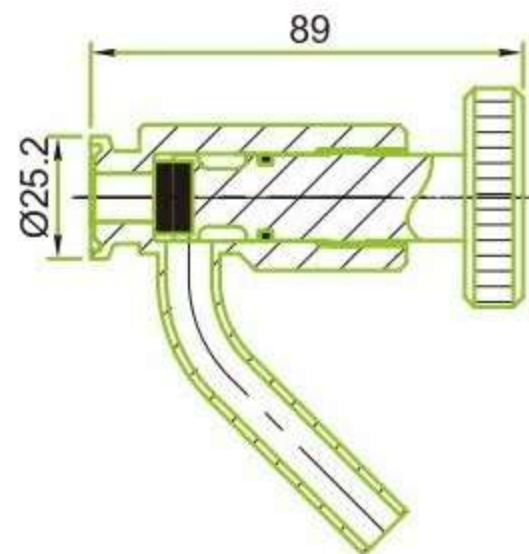


NO	PART NAME	QTY
1	Body	1
2	Seal	1
3	O-Ring	1
4	Screw Shaft	1

L Type

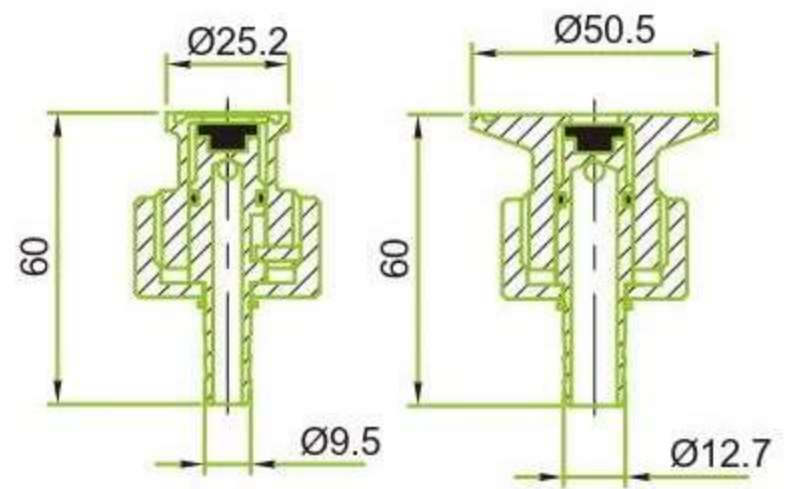


Y Type



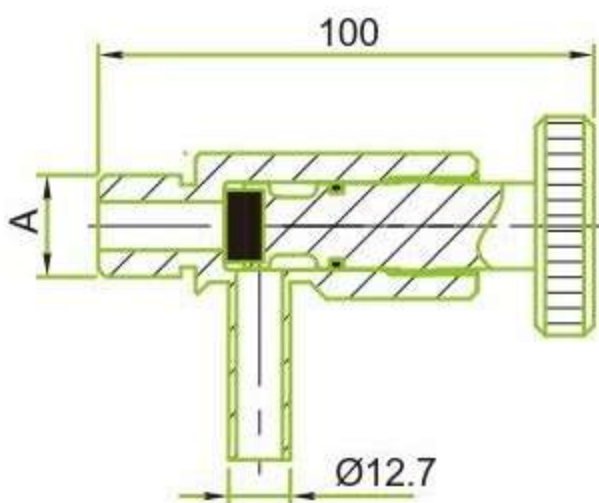
Materials:

- Steel part: Stainless steel
SS304 or SS316L
- Seal: Teflon
- O-Ring: EPDM



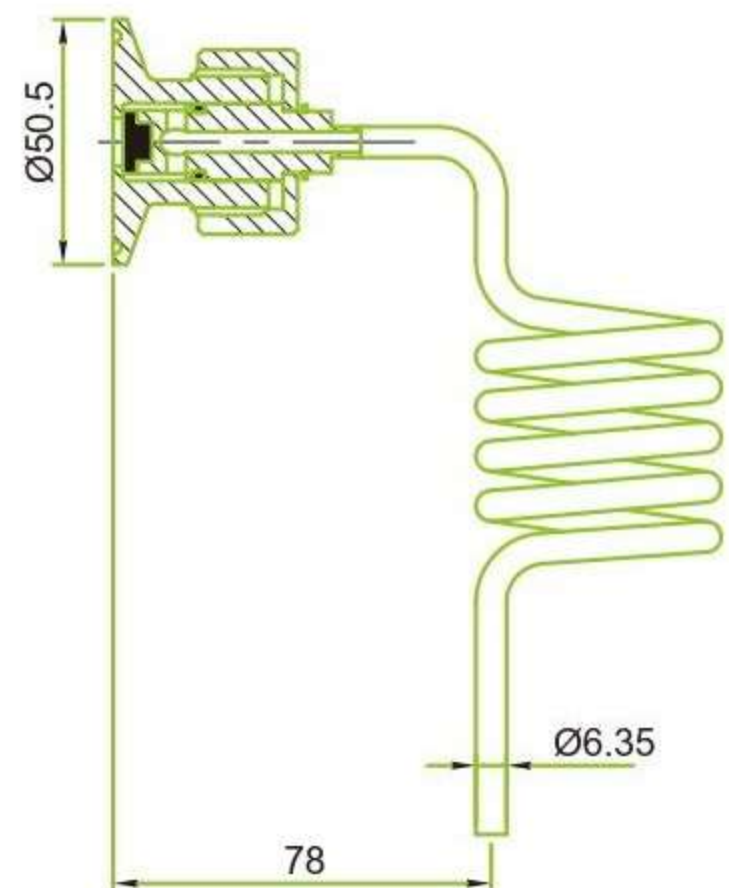
I Type Sample valve

Clamp End Sample valve

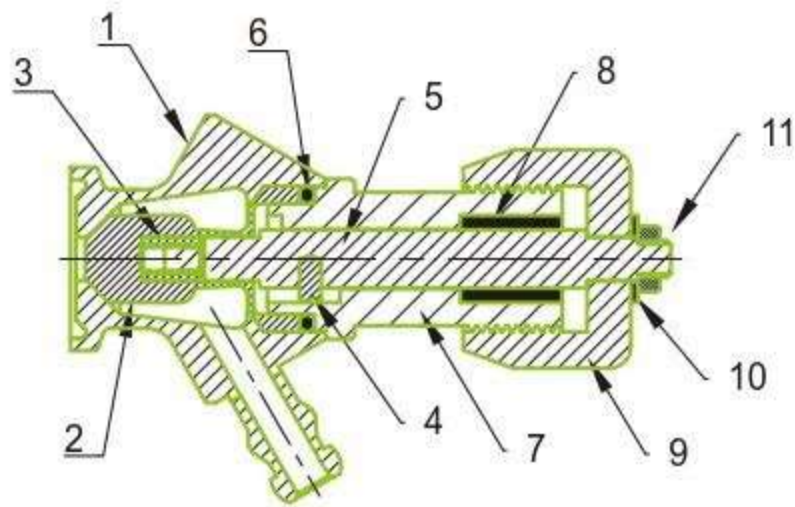


Male End Sample valve

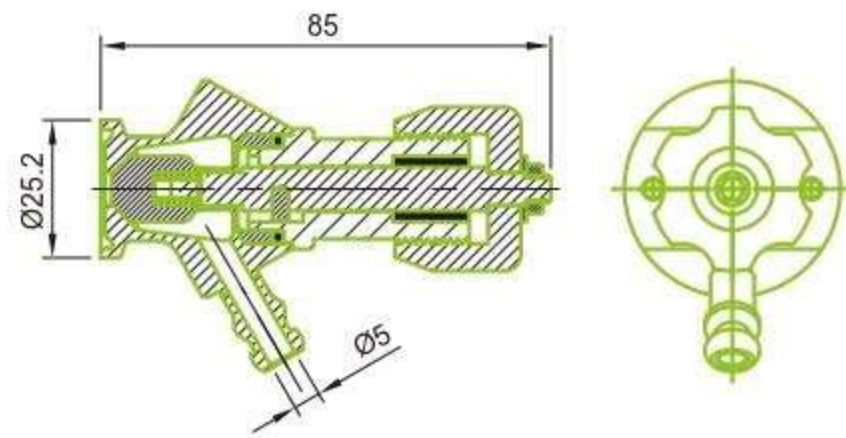
Size	A
1/2	1/2 PF
3/8	NPT 3/8-14
1/4	NPT 1/4-14
3/8	PT 3/8-14
1/4	PT 1/4-14



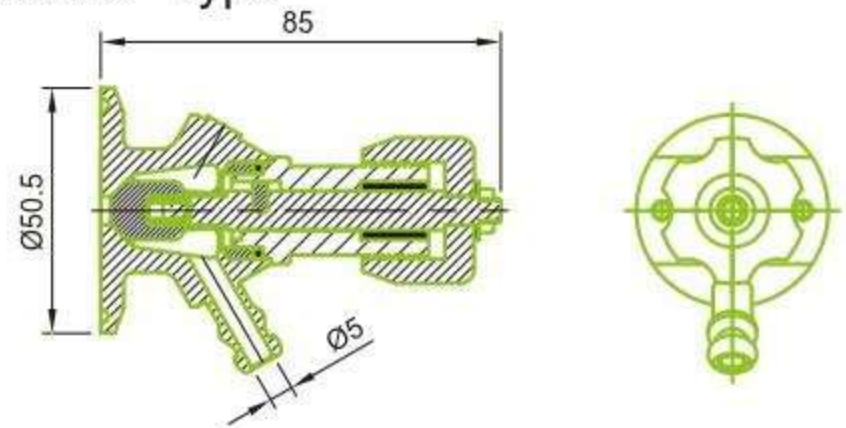
SAMPLE VALVE 取樣閥



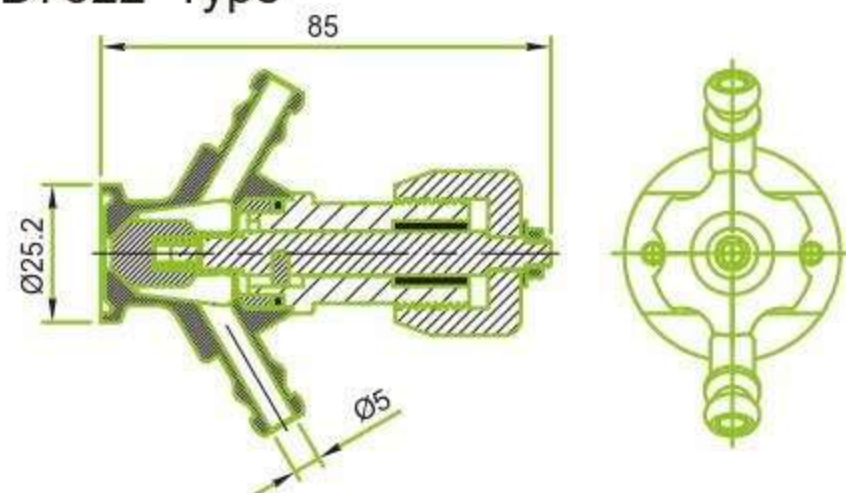
D7511 Type



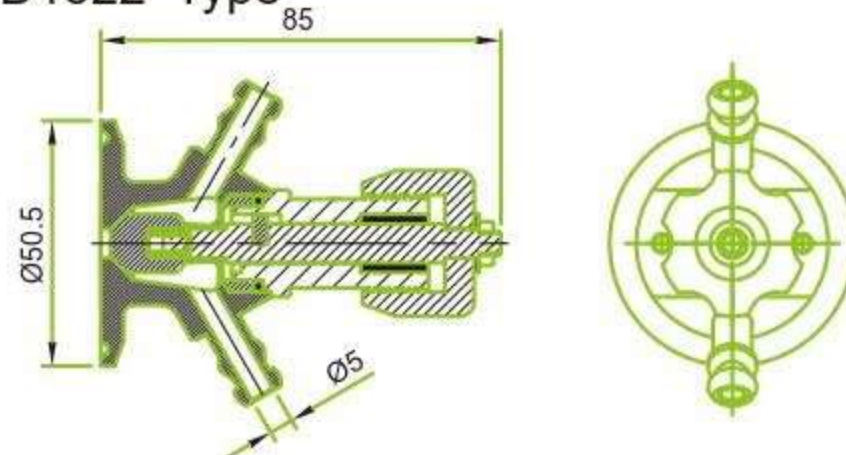
D1511 Type



D7522 Type



D1522 Type



NO	PART NAME	QTY	MATERIAL
1	Body	1	SS304/316L
2	Seal	1	Teflon
3	Screw	1	Cu
4	Pin	1	SS304
5	Stem	1	SS304
6	O-Ring	1	Silicon
7	Shaft	1	SS304
8	Bush	1	Teflon
9	Handle	1	POM
10	Washer	1	SS304
11	Nut	1	SS304

Materials:

- Steel part: Stainless steel
SS304 or SS316L
- Seal: Teflon
- O-Ring: Silicon